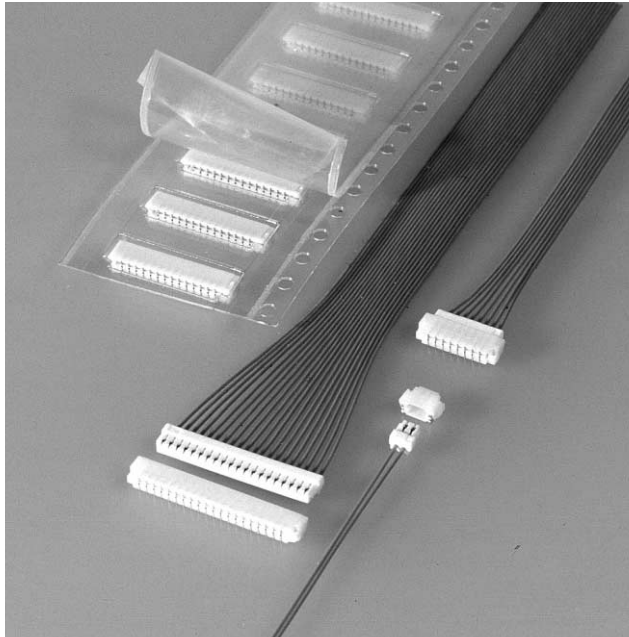


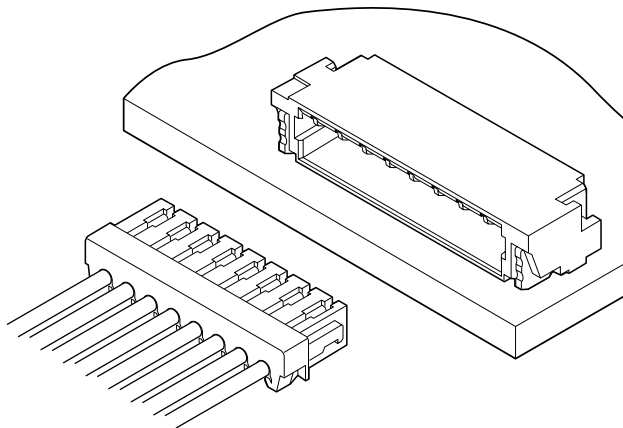
SUR CONNECTOR



Disconnectable Insulation displacement connectors



The world's first 0.8mm (.031") pitch wire-to-board insulation displacement connector. Side entry type is only 3.9mm (.154") depth and 1.75mm (.069") height after mounting on the PC board, and top entry type is only 2.2mm (.087") depth and 3.9mm (.154") height. Compared to the conventional 1.0mm (.039") pitch SSR connector, occupation space on the board is reduced by 34% (side entry type).



Features

• 3-point grip construction

The 3-point insulation grip feature and the strain relief ensure a firm grip on terminated wires and protection of the insulation displacement connection from possible damage.

• Super fine wires are applicable

Applicable wire is of AWG #32 with only 0.38mm (.015") O.D. With this super fine wire, routing of wires is easy.

• Shrouded header

The header is fully shrouded, but remains thin.

• Twin U-slot insulation displacement section

The insulation displacement section connected to each wire consists of two tin-plated slots (twin U-slots), which ensures reliable connection.

Specifications

- Current rating: 0.5A AC, DC (AWG #32)
0.2A AC, DC (AWG #36)
- Voltage rating: 30V DC
- Temperature range: -25°C to +85°C (including temperature rise in applying electrical current)
- Contact resistance: Initial value/20m Ω max.
After environmental testing/40m Ω max.
- Insulation resistance: 100M Ω min.
- Withstanding voltage: 200V AC/minute
- Applicable wire: AWG #32, #36
Conductor/7 strands,
tin-coated copper alloy
Insulation O.D./0.39mm (.015")
- * Contact JST if Lead-Free product is required.
- * Refer to "General Instruction and Notice when using Terminals and Connectors" at the end of this catalog.
- * Contact JST for details.

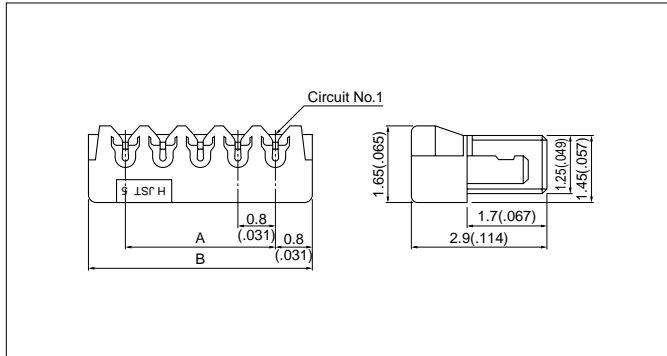
Standards

Ⓡ Recognized E60389

Ⓢ Certified LR20812

SUR CONNECTOR

Receptacle

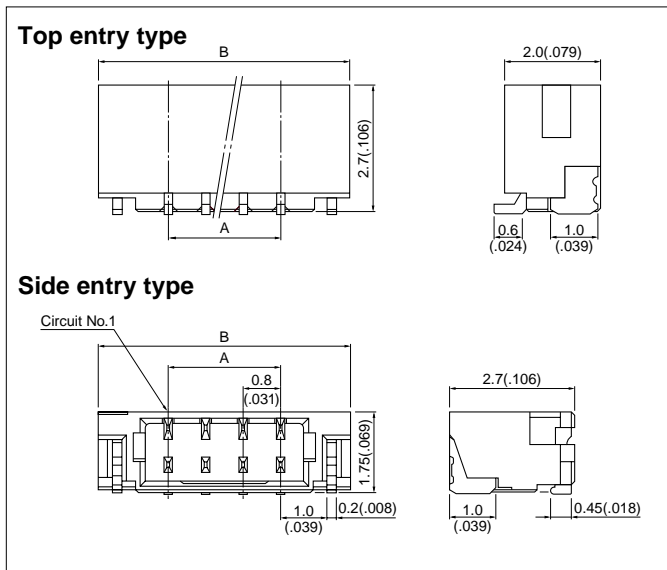


Circuits	Model No.		Dimensions mm(in.)		Q'ty/box
	#32(Natural)	#36(Lemon yellow)	A	B	
2	02SUR-32S	02SUR-36L	0.8(.031)	2.4(.094)	2,000
3	03SUR-32S	03SUR-36L	1.6(.063)	3.2(.126)	2,000
4	04SUR-32S	04SUR-36L	2.4(.094)	4.0(.157)	2,000
5	05SUR-32S	05SUR-36L	3.2(.126)	4.8(.189)	2,000
6	06SUR-32S	06SUR-36L	4.0(.157)	5.6(.220)	2,000
8	08SUR-32S	08SUR-36L	5.6(.220)	7.2(.283)	2,000
10	10SUR-32S	10SUR-36L	7.2(.283)	9.6(.378)	2,000
12	12SUR-32S	12SUR-36L	8.8(.346)	10.4(.409)	2,000
14	14SUR-32S	14SUR-36L	10.4(.409)	12.0(.472)	2,000
15	15SUR-32S	15SUR-36L	11.2(.441)	12.8(.504)	2,000
16	16SUR-32S	16SUR-36L	12.0(.472)	13.6(.535)	2,000
17	17SUR-32S	17SUR-36L	12.8(.504)	14.4(.567)	2,000
20	20SUR-32S	20SUR-36L	15.2(.598)	16.8(.661)	2,000
22	22SUR-32S	22SUR-36L	16.8(.661)	18.4(.724)	2,000

Material and Finish

Contact: Copper alloy, tin-plated
Housing: Polyamide, UL94V-0, natural (ivory)

Shrouded header



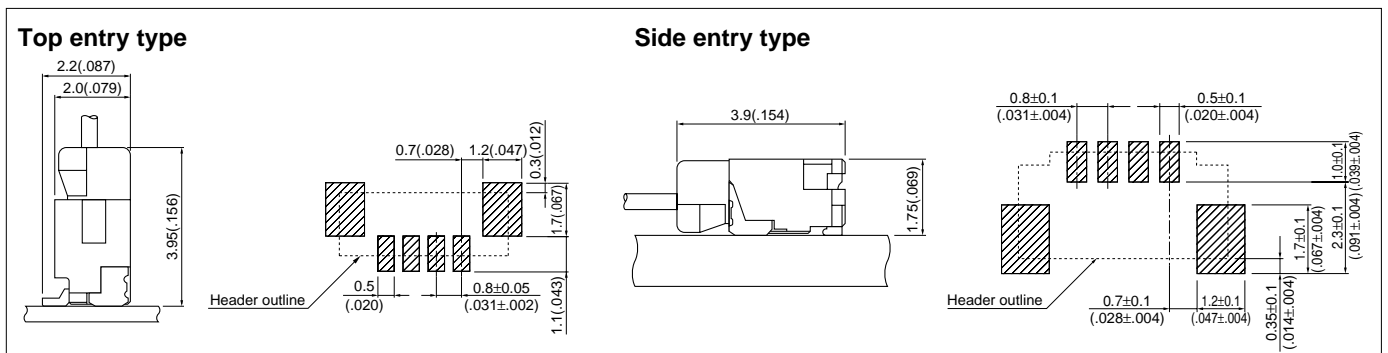
Circuits	Model No.		Dimensions mm(in.)		Q'ty/ reel	
	Top entry type	Side entry type	A	B	Top entry type	Side entry type
2	BM02B-SURS-TF	SM02B-SURS-TF	0.8(.031)	3.8(.150)	2,500	3,500
3	—	SM03B-SURS-TF	1.6(.063)	4.6(.181)	—	3,500
4	BM04B-SURS-TF	SM04B-SURS-TF	2.4(.094)	5.4(.213)	2,500	3,500
5	—	SM05B-SURS-TF	3.2(.126)	6.2(.244)	—	3,500
6	—	SM06B-SURS-TF	4.0(.157)	7.0(.276)	—	3,500
8	—	SM08B-SURS-TF	5.6(.220)	8.6(.339)	—	3,500
10	BM10B-SURS-TF	SM10B-SURS-TF	7.2(.283)	10.2(.402)	2,500	3,500
12	BM12B-SURS-TF	SM12B-SURS-TF	8.8(.346)	11.8(.465)	2,500	3,500
14	—	SM14B-SURS-TF	10.4(.409)	13.4(.528)	—	3,500
15	BM15B-SURS-TF	SM15B-SURS-TF	11.2(.441)	14.2(.559)	2,500	3,500
16	—	SM16B-SURS-TF	12.0(.472)	15.0(.591)	—	3,500
17	—	SM17B-SURS-TF	12.8(.504)	15.8(.622)	—	3,500
20	BM20B-SURS-TF	SM20B-SURS-TF	15.2(.598)	18.2(.717)	2,500	3,500
22	—	SM22B-SURS-TF	16.8(.661)	19.8(.780)	—	3,500

Material and Finish

Contact: Copper alloy, copper-undercoated, tin/lead-plated
Wafer: Polyamide, UL94V-0, natural (ivory)
Solder tab: Brass, copper-undercoated, tin/lead-plated

Note: The products listed above are supplied on embossed-tape.

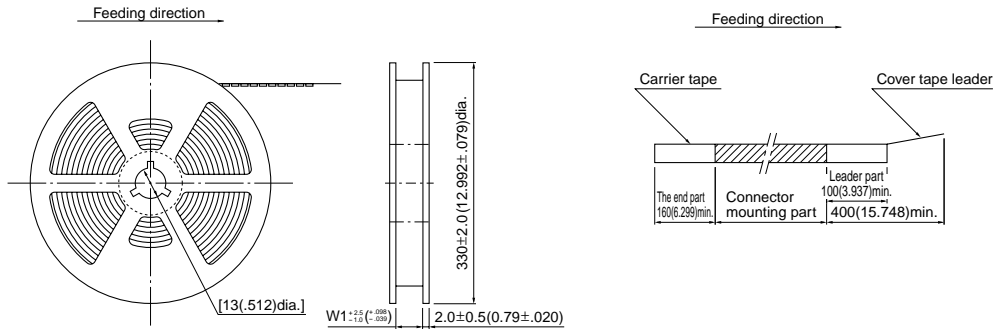
PC board layout (viewed from component side) and Assembly layout



Note: 1. Tolerances are non-cumulative: $\pm 0.05\text{mm} (\pm .002")$ for all centers.
2. Dimensions above should serve as a guideline. Contact JST for details.

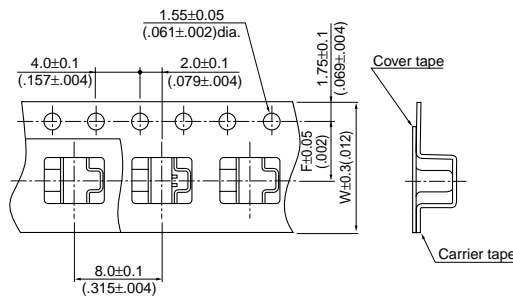
SUR CONNECTOR

Taping specifications

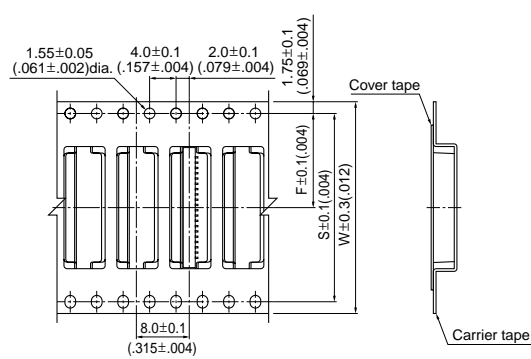


Top entry type

(2 to 15 circuits)

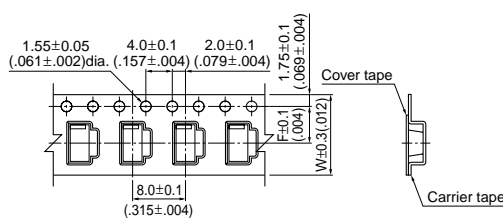


(20 circuits)

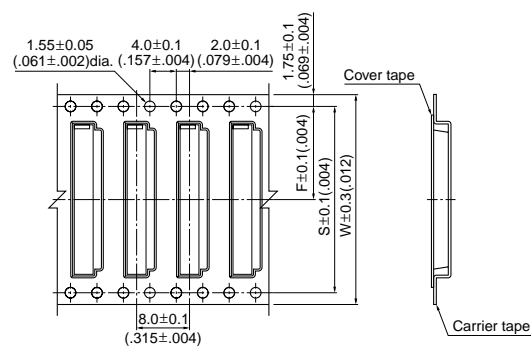


Side entry type

(2 to 17 circuits)



(20, 22 circuits)



Circuits	Taping dimensions mm(in.)			Reel dimensions mm(in.)		Q'ty / reel	
	F	S	W	W1	Top entry type	Side entry type	
2, 4	5.5(.217)	—	12.0 (.472)	13.5 (.531)	2,500	3,500	
5 to 8	7.5(.295)	—	16.0 (.630)	17.5 (.689)	—	3,500	
10 to 17	11.5(.453)	—	24.0 (.945)	25.5(1.004)	2,500	3,500	
20, 22	14.2(.559)	28.4(1.118)	32.0(1.260)	33.5(1.319)	2,500	3,500	

Note:

- Specifications conform to JIS C 0806. The tape width, connector recess hole dimensions, etc. are determined by the number of circuits and external shape of the connector to be loaded.
- Specifications are subject to change without prior notice.